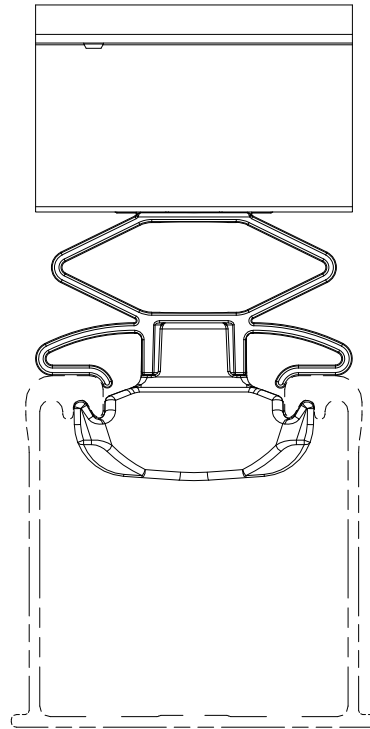
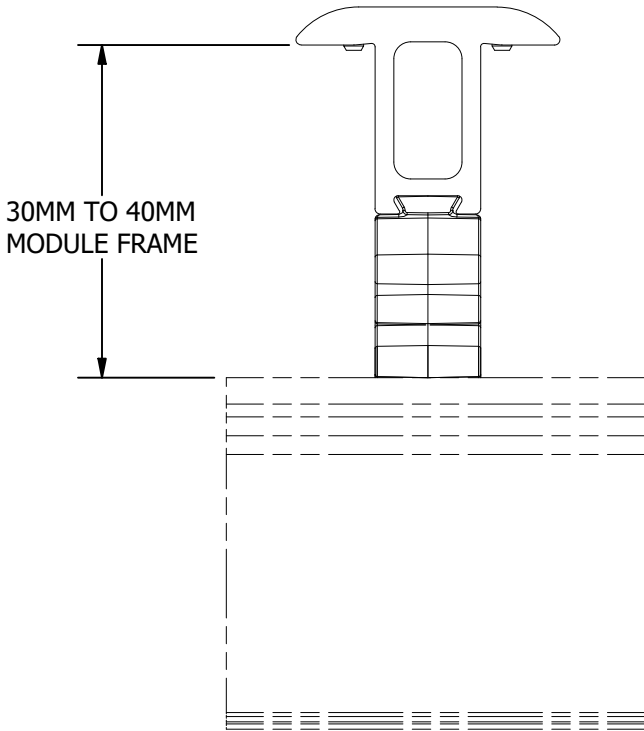
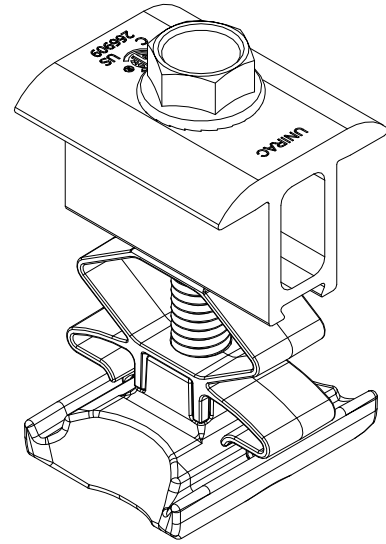
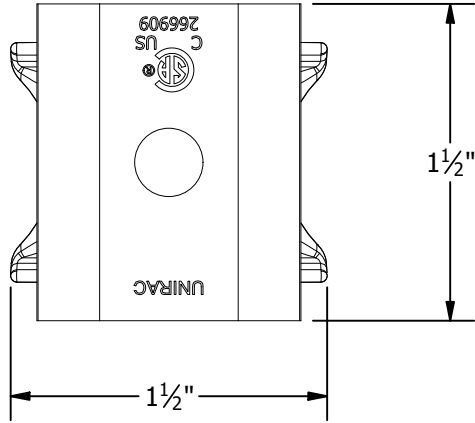


PART # TABLE	
P/N	DESCRIPTION
CCLAMPM1	NXT COMBO CLAMP - MILL
CCLAMPD1	NXT COMBO CLAMP - DARK



1411 BROADWAY BLVD. NE
 ALBUQUERQUE, NM 87102 USA
 PHONE: 505.242.6411
 WWW.UNIRAC.COM

PRODUCT LINE:	NXT UMount
DRAWING TYPE:	PART & ASSEMBLY
DESCRIPTION:	COMBO CLAMP
REVISION DATE:	11/17/2022

DRAWING NOT TO SCALE
 ALL DIMENSIONS ARE
 NOMINAL

PRODUCT PROTECTED BY
 ONE OR MORE US PATENTS
 LEGAL NOTICE

NU-A03

SHEET