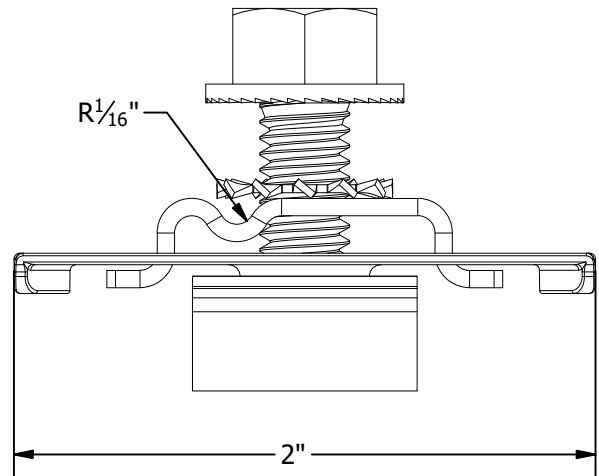
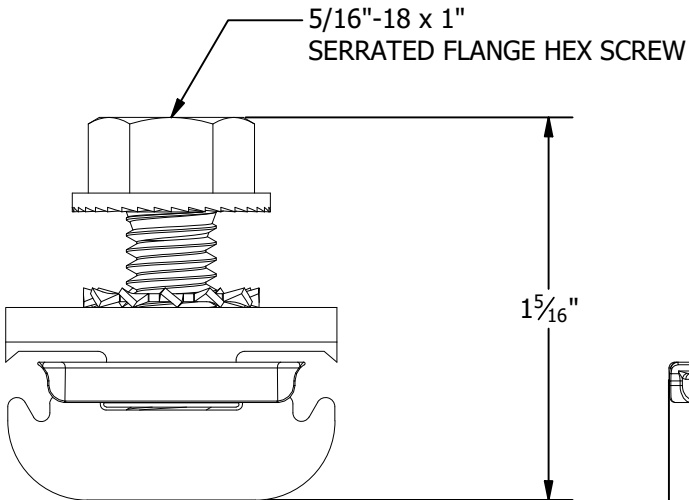
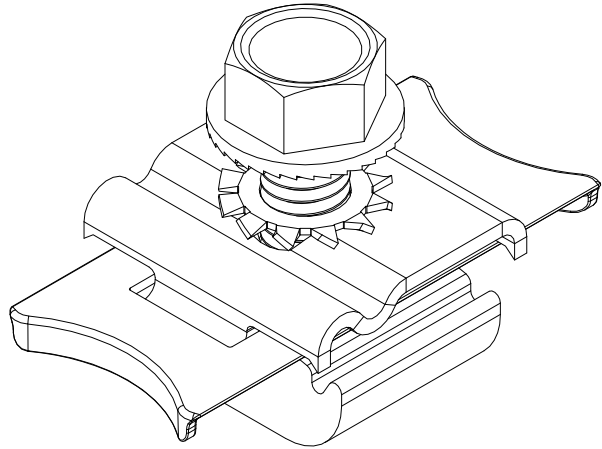
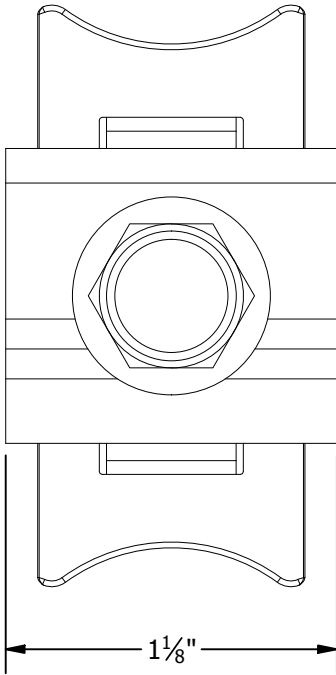


PART # TABLE	
P/N	DESCRIPTION
LUGMLPE1	NXT UMount MLPE & LUG CLAMP



1411 BROADWAY BLVD. NE
 ALBUQUERQUE, NM 87102 USA
 PHONE: 505.242.6411
 WWW.UNIRAC.COM

PRODUCT LINE:	NXT UMount
DRAWING TYPE:	PARTS ASSEMBLY
DESCRIPTION:	MLPE & LUG CLAMP
REVISION DATE:	11/17/2022

DRAWING NOT TO SCALE
 ALL DIMENSIONS ARE
 NOMINAL

PRODUCT PROTECTED BY
 ONE OR MORE US PATENTS
 LEGAL NOTICE

NU-A06
 SHEET