

PRO SERIES

# SOLARHOOKS



## APPLICATION GUIDE



MODEL	SOLARHOOK UNIV SIDE MT CT5	SOLARHOOK FLAT SIDE MT AT1	SOLARHOOK SPANISH SIDE MT CT1	SOLARHOOK FLAT SIDE MT ST1	SOLARHOOK FLAT ADJUSTABLE SIDE MT ST1	SOLARHOOK SPANISH SIDE MT CT2
PART NUMBER	004CT5H	004AT1H	004CT1H	004ST1S	004CT4S	004CT2H
MATERIAL	Bead Blasted 304 Stainless Steel	Bead Blasted 304 Stainless Steel	Bead Blasted 304 Stainless Steel	Bead Blasted 304 Stainless Steel	Bead Blasted 304 Stainless Steel	Bead Blasted 304 Stainless Steel
APPLICATION	Best in low – med wind / snow regions	Best in low – med wind / snow regions	Best in low – med wind / snow regions	Best in low – med wind / snow regions	Best in low – med wind / snow regions	Best in low – med wind / snow regions
USES EXISTING TILES	Yes	Yes	Yes	Yes	Yes	Yes
RAIL OR RAIL-LESS	Rail	Rail	Rail	Rail	Rail	Rail
DIRECT MOUNT, NO L-FOOT REQUIRED	✓	✓	✓	✓	✓	✓
ADJUSTABLE	✓					
FLAT TILE	✓	✓		✓	✓	
S TILE	✓		✓			✓
W TILE	✓		✓			
UNIVERSAL TILE	✓					
SIMPLE INSTALLATION	✓	✓	✓	✓	✓	✓
NO TILE MOD. REQUIRED	✓	✓	✓	✓	✓	✓
WARRANTY	25-Year	25-Year	25-Year	25-Year	25-Year	25-Year

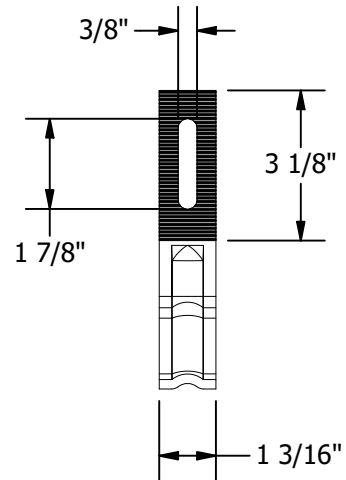
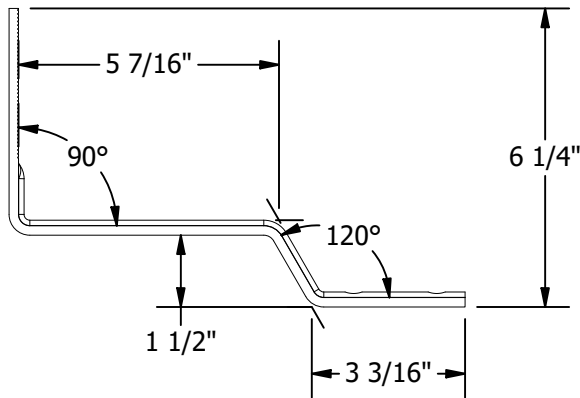
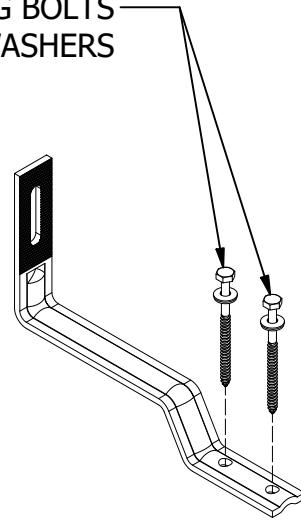
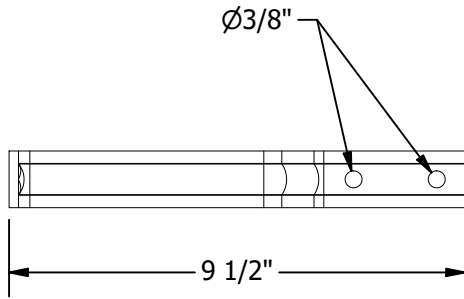
# THE COMPLETE TILE ROOF SOLUTION

FOR QUESTIONS OR CUSTOMER SERVICE VISIT [UNIRAC.COM](http://UNIRAC.COM) OR CALL (505) 248-2702

NOTES:

1. INSTALLATION TO BE COMPLETED IN ACCORDANCE WITH SOLARHOOKS INSTALLATION GUIDE.
2. PACKAGING: KITS OF 30

2X - .25 X 3.5" SS HEX HEAD LAG BOLTS  
W/ SS EPDM BONDED WASHERS



PART # TABLE

P/N	DESCRIPTION
004AT1H	SOLARHOOK FLAT TILE



1411 BROADWAY BLVD. NE  
ALBUQUERQUE, NM 87102 USA  
PHONE: 505.242.6411  
WWW.UNIRAC.COM

PRODUCT LINE:	SOLARHOOK
DRAWING TYPE:	PART DETAIL
DESCRIPTION:	FLAT TILE
REVISION DATE:	6/28/2019

DRAWING NOT TO SCALE  
ALL DIMENSIONS ARE  
NOMINAL

PRODUCT PROTECTED BY  
ONE OR MORE US PATENTS  
LEGAL NOTICE

SH2-P01

SHEET