

TS4-A-O SPECIFICATIONS

Environmental

Operating Temperature Range	-40°C to +85°C (-40°F to +185°F)
Outdoor Rating	IP68, NEMA 3R

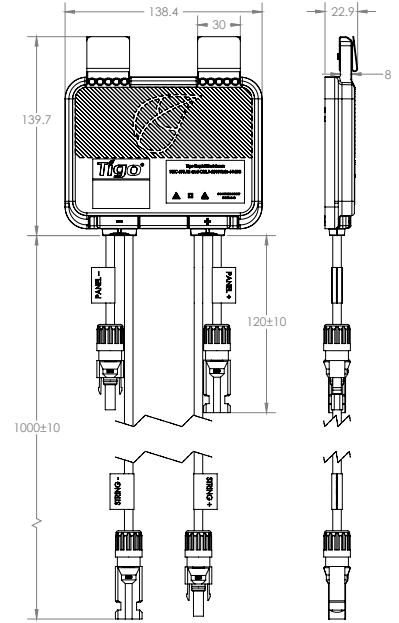
Mechanical

Dimensions	138.4mm x 139.7mm x 22.9mm
Weight	520g

Electrical

Total Max Input Voltage (V _{oc} @ Lowest Temperature)	90V
Voltage Range	16 - 90V
Maximum Current	12A
Maximum Power	500W
Output Cable Length	1.2m (standard)
Connectors	MC4 (standard)
Communication Type	Wireless
Rapid Shutdown UL Listed (NEC 2014 & 2017 690.12)	Yes

Cloud Connect Advanced (CCA) and TAP (Gateway) required for rapid shutdown with TS4-A-O.



ORDERING INFORMATION

Standard

451-00252-32 1000V UL / TÜV, 1.2m cable, MC4

Options

451-00257-12 1000V UL / TÜV, 1.2m cable, MC4 comparable

451-00252-12 1000V UL / TÜV, 1m cable, MC4

451-00261-32 1500V UL / TÜV, 1.2m cable, EVO2

For sales info:

sales@tigoenergy.com or 1.408.402.0802

For product info:

Visit tigoenergy.com/products

For technical info:

Visit support.tigoenergy.com



For additional info and product selection assistance, use Tigo's online design tool at tigoenergy.com/design

